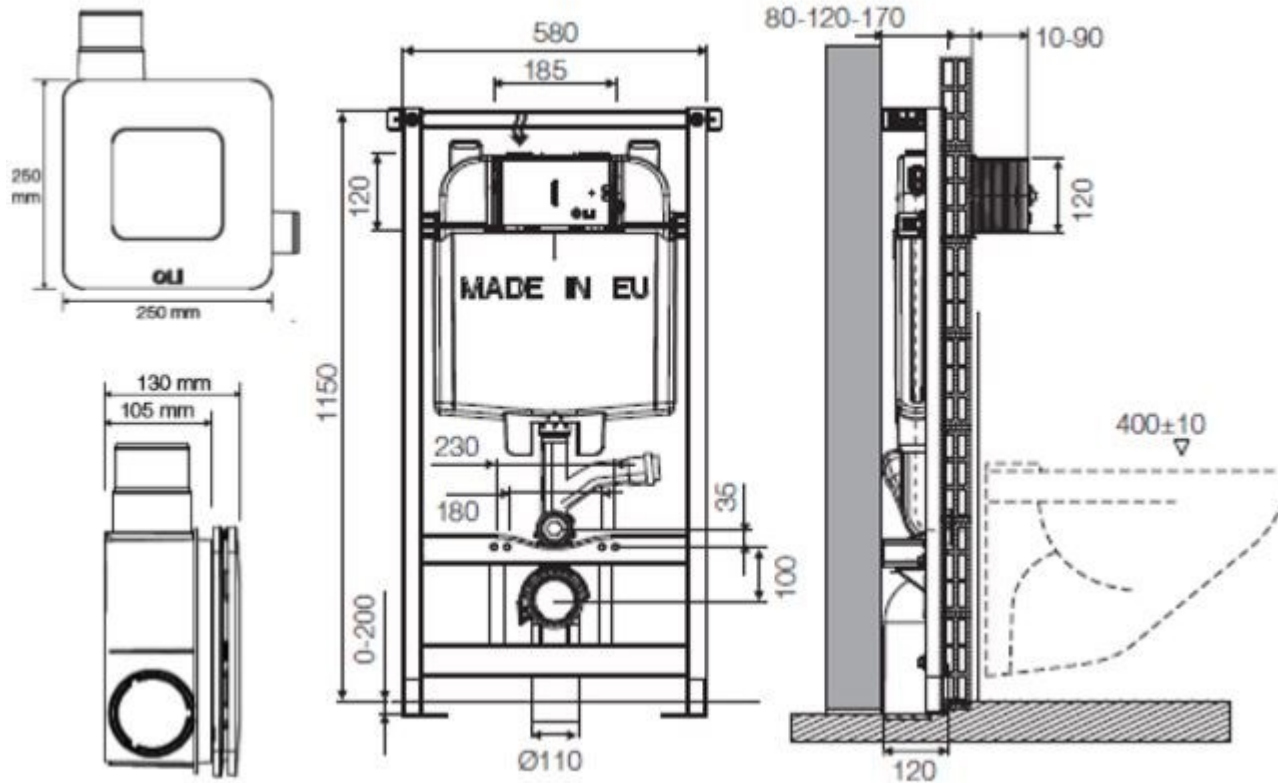


OLI74 PLUS SANITAR BLOCK 90/110



SPECIFICATION SHEET



OLI74 PLUS SANITAR BLOCK 90/110

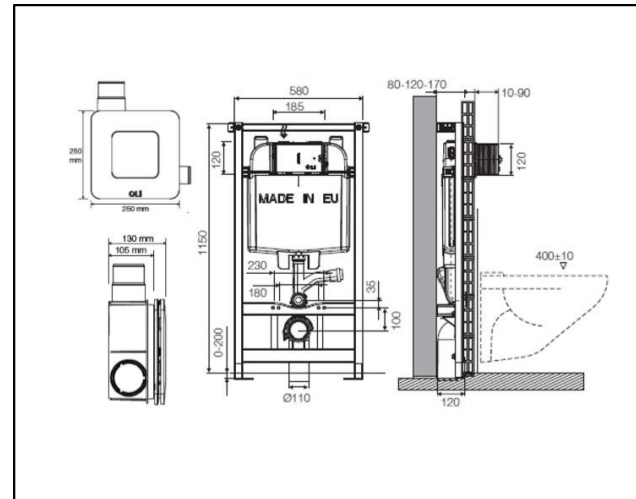
CODE: 601804

OLI74 PLUS SANITAR BLOCK, Compatible with all wall-hung WC pans
WC pan fixing material, Inlet and outlet WC pan connection



DUAL FLUSH 3/6 LITRES

MIN FLOW 	3.0 Litres	Flushing Volume (Average)
MAX FLOW 	6.0 Litres	Flushing Volume (Average)



E: reigner@reignerdesign.com | T: +44 207 4439 586 | www.reignerdesign.com

REIGNER DESIGN does not guarantee the technical details provided and accepts no liability on information via its website,

REIGNER