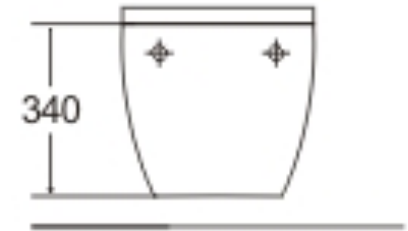
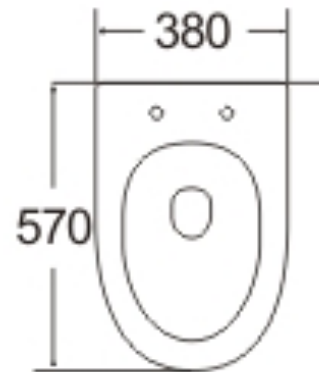
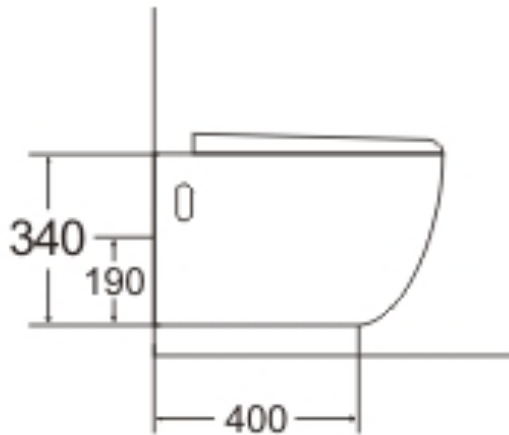


# OPAL

## Wall Hung WC



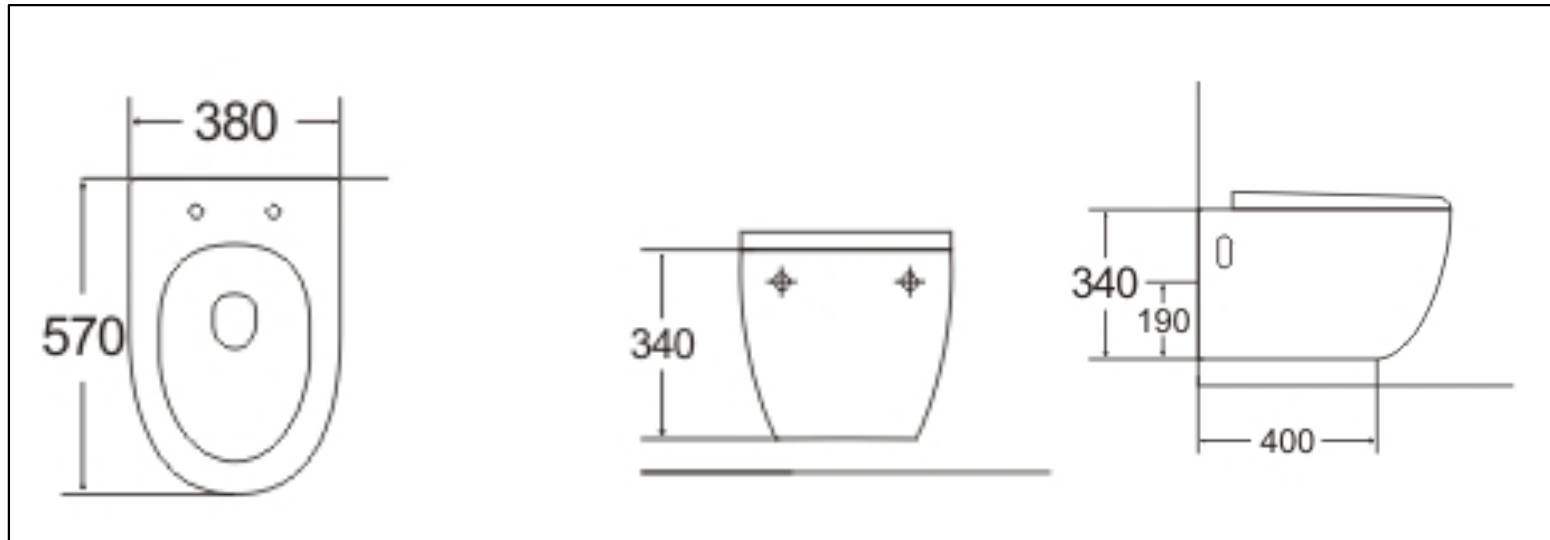
# SPECIFICATION SHEET

## OPAL Wall hung WC Pan

CODE: 2006.2Z.014.0000.1000

OPAL Wall hung WC pan CERAMIC

OPAL Wall Hung Soft close seat and cover PP PLASTIC



E: [reigner@reignerdesign.com](mailto:reigner@reignerdesign.com) | T: +44 207 4439 586 | [www.reignerdesign.com](http://www.reignerdesign.com)

REIGNER DESIGN does not guarantee the technical details provided and accepts no liability on information via its website,

**REIGNER**