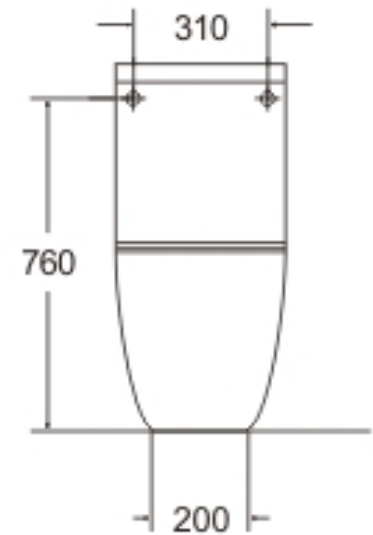
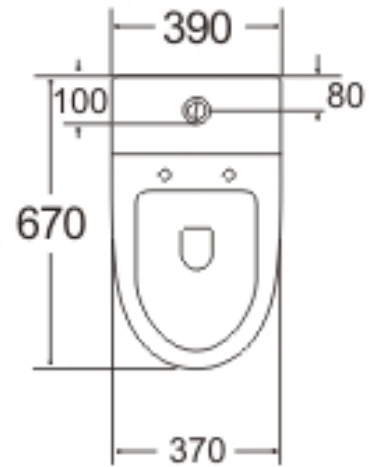
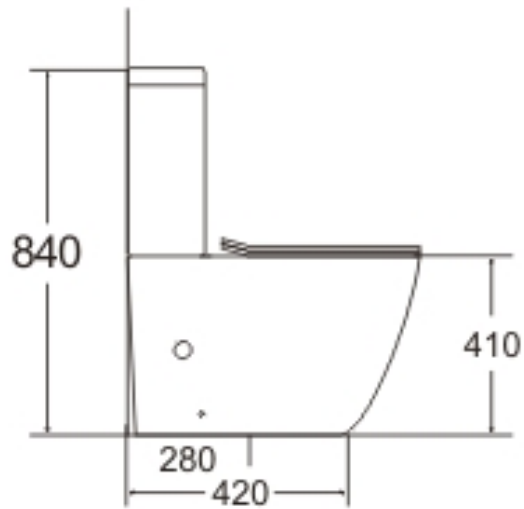


PEARL

Close Coupled WC



SPECIFICATION SHEET

PEARL Close Coupled WC Pan HO

CODE: 2001.3Z.114.0000.1000



PEARL close coupled WC pan P-Trap (Horizontal outlet)
CERAMIC

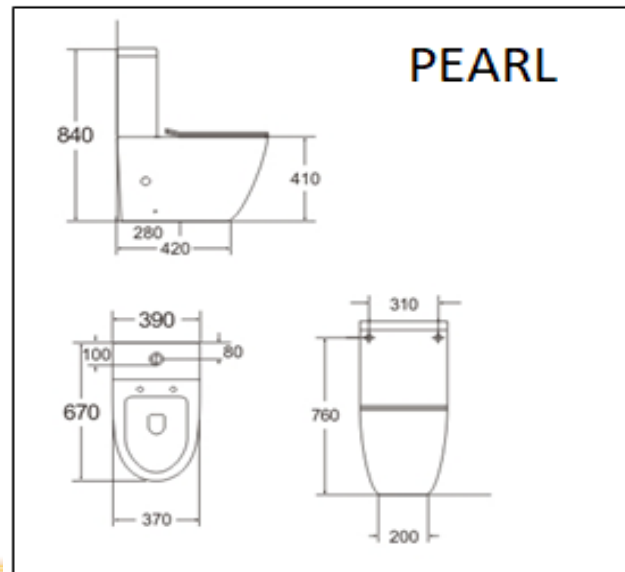
PEARL cistern dual flush 3/6 litres
bottom water supply CERAMIC

PEARL Soft close seat and cover PP PLASTIC



DUAL FLUSH 3/6 LITRES

MIN FLOW 	3.0 Litres	Flushing Volume (Average)
MAX FLOW 	6.0 Litres	Flushing Volume (Average)



E: reigner@reignerdesign.com | T: +44 207 4439 586 | www.reignerdesign.com

REIGNER DESIGN does not guarantee the technical details provided and accepts no liability on information via its website,

REIGNER