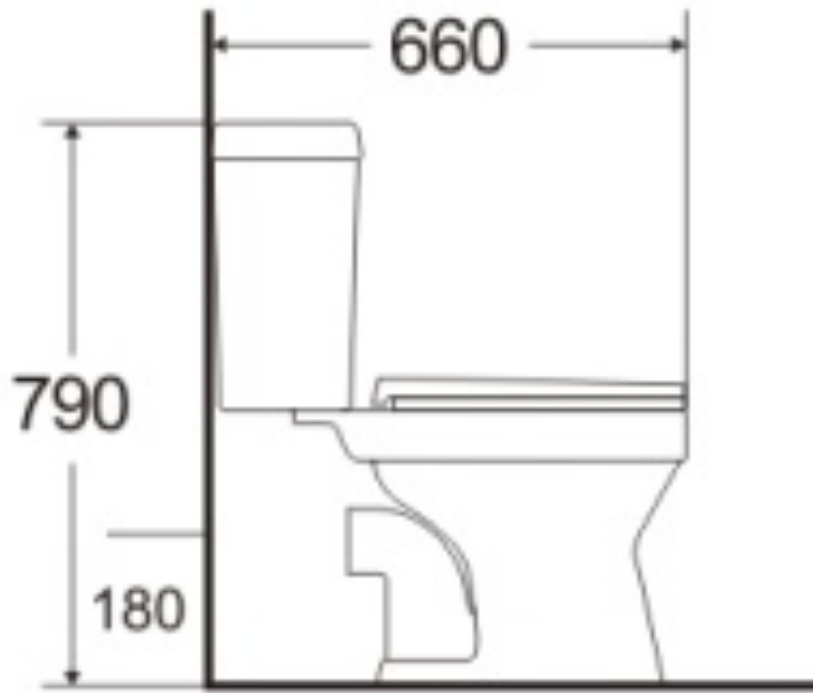


# BASE

## Close Coupled WC



# SPECIFICATION SHEET

## BASE Close Coupled WC Pan HO

**CODE: 2007.3Z.114.0000.1000**



BASE close coupled WC pan P-Trap (Horizontal outlet)  
CERAMIC

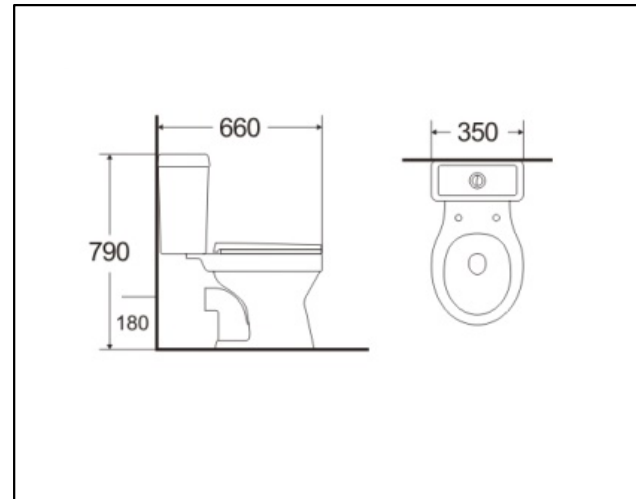
BASE cistern dual flush 3/6 litres CERAMIC  
bottom water supply

BASE Soft close seat and cover PP PLASTIC



### DUAL FLUSH 3/6 LITRES

<b>MIN FLOW</b> 	<b>3.0 Litres</b>	Flushing Volume (Average)
<b>MAX FLOW</b> 	<b>6.0 Litres</b>	Flushing Volume (Average)



E: [reigner@reignerdesign.com](mailto:reigner@reignerdesign.com) | T: +44 207 4439 586 | [www.reignerdesign.com](http://www.reignerdesign.com)

REIGNER DESIGN does not guarantee the technical details provided and accepts no liability on information via its website,

**REIGNER**